



High-frequency transformer POT40 Series

Parameters/Dimensions:

POT40 Type 1

Information:

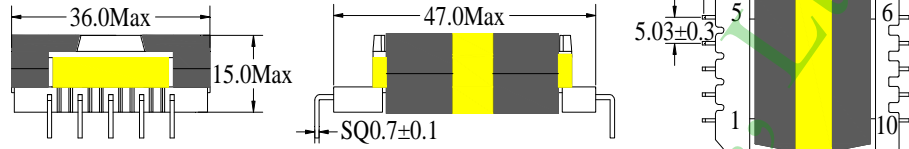
Shape:POT40

1 Power:160~180W

2 Mounting Orientation: Vertical

3 Size: 36 (W) * 47 (L) * 15(H)

4 Effective Ae (mm²):198.4~217.3



POT40 Type 2

Information:

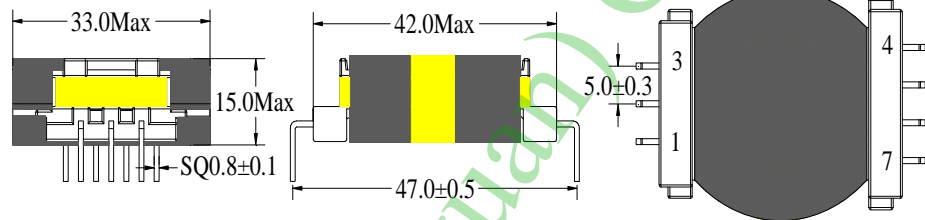
Shape:POT40

1 Power:160~180W

2 Mounting Orientation: Vertical

3 Size: 33 (W) * 42 (L) * 15(H)

4 Effective Ae (mm²):198.4~217.3



POT40 Type 3

Information:

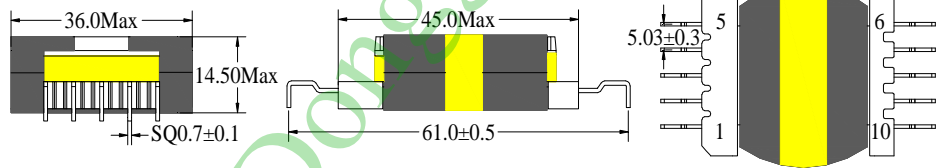
Shape:POT40

1 Power:160~180W

2 Mounting Orientation: Vertical

3 Size: 36 (W) * 45 (L) * 14.5(H)

4 Effective Ae (mm²):198.4~217.3



POT40 Type 4

Information:

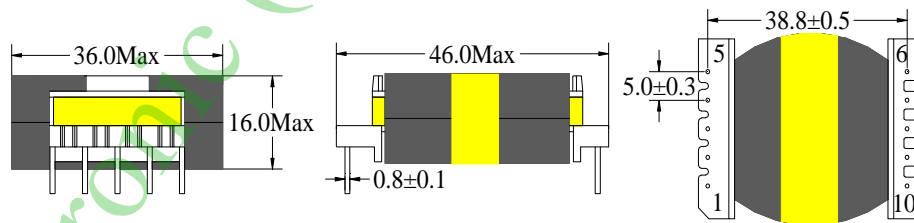
Shape:POT40

1 Power:160~180W

2 Mounting Orientation: Vertical

3 Size: 36 (W) * 46 (L) * 16(H)

4 Effective Ae (mm²):198.4~217.3



POT40 Type 5

Information:

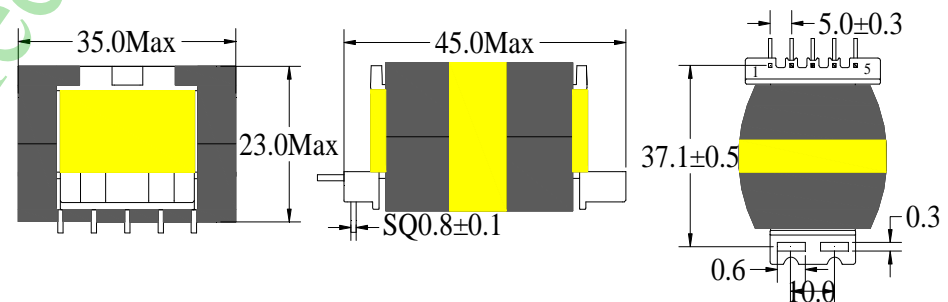
Shape:POT40

1 Power:160~180W

2 Mounting Orientation: Vertical

3 Size: 35(W) * 45 (L) * 23(H)

4 Effective Ae (mm²):198.4~217.3



POT40 Type 6

Information:

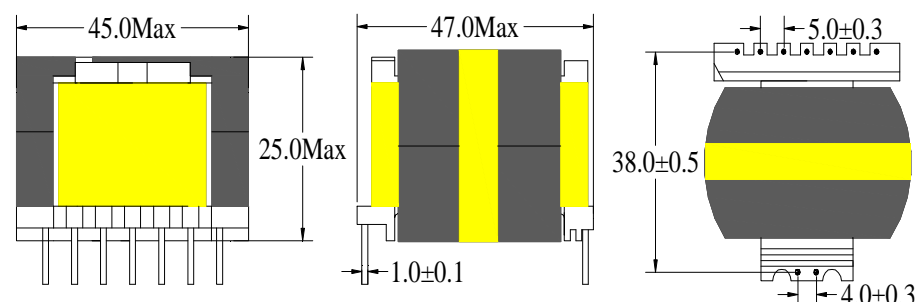
Shape:POT40

1 Power:160~180W

2 Mounting Orientation: Vertical

3 Size: 45(W) * 47 (L) * 25(H)

4 Effective Ae (mm²):198.4~217.3





High-frequency transformer
POT40 Series

Note:

Bobbin type listed in the traditional style, transformer design parameters to customer needs or to inject prevail.

POT series high-frequency transformer features:

small size, high inductance, easy winding, magnetic shielding and heat dissipation balance.

Uses:

The carrier filter, a high sensitivity sensor, the sensor of high efficiency power converter transformers.

P&Z Electronic (Dongguan) Co., Ltd